

IMHC 1580

OUTREACH (RADIUS): 10 - 40 m
MAX CAPACITY: 80 t



IMHC 1580

Ideally suitable for feeder and medium sized vessels, the IMHC 1580 is built for fast and efficient handling of bulk, coils and containers (telescopic 20' or 40' spreader).

The crane is built in two variants:

1. Single winch with 2 ropes
2. Double winch with 4 ropes (4-ropes grab crane)

GENERAL DIMENSIONS AND WEIGHTS

| | | |
|---|---------------------------------------|--------|
| A | Minimum outreach/Radius | 10 m |
| B | Maximum outreach/Radius | 40 m |
| C | Overall height tower | 25,7 m |
| D | Tower cab height (operator eye level) | 18 m |
| E | Height of boom fulcrum | 13 m |

HOISTING HEIGHTS

| | | |
|---|-------------------------------|------|
| F | Above quay level | 34 m |
| G | Above quay level at max. rad. | 25 m |
| H | Under quay level | 15 m |

CHASSIS AND PROPPING SYSTEM WITH STANDARD PADS

| | | |
|---|---|--------------|
| I | Overall width of undercarriage | 4,5 m |
| L | Minimum overall width outriggers | 8,4 m |
| M | Maximum Propping base | 10 x 10 m |
| | Chassis dimensions in travel mode (approx.) | 13,5 x 8,4 m |

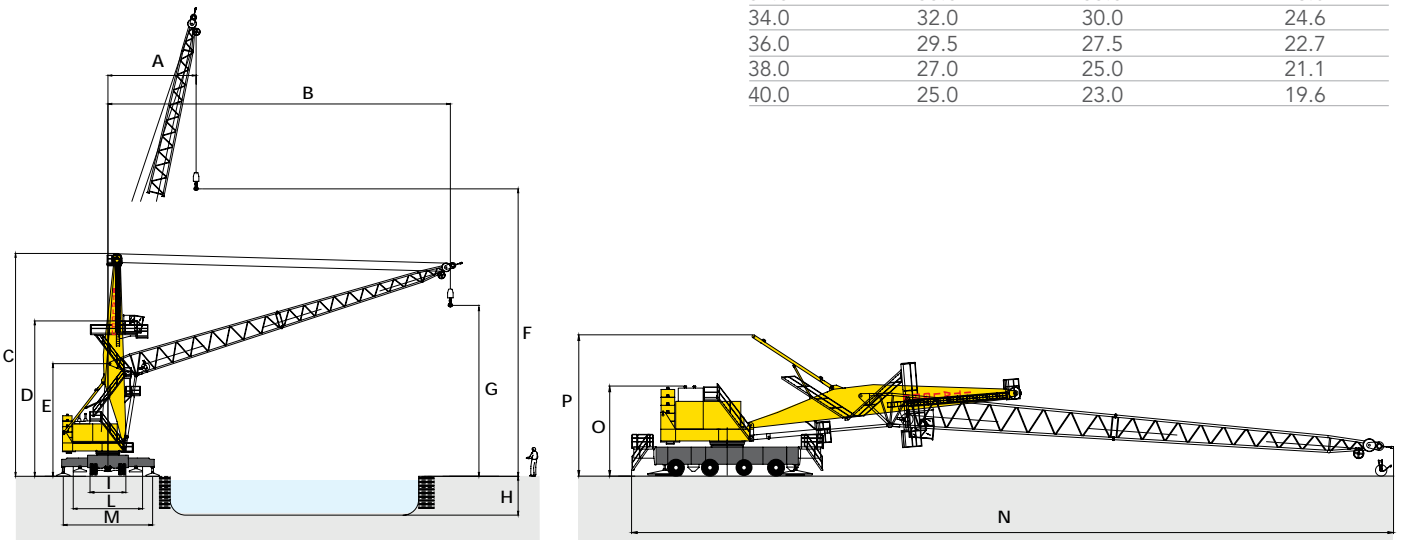
DIMENSIONS WITH TOWER AND BOOM LOWERED

| | | |
|---|------------------------|--------|
| N | Overall length | 60 m |
| O | Machinery house height | 7,8 m |
| P | Overall height | 12,4 m |

TRAVEL GEAR

| | |
|----------------|---|
| Axles | 4 |
| Steering axles | 4 |
| Driven axles | 2 |

| OUTREACH/ RADIUS | HEAVY USE | GENERAL CARGO CONTAINERS | GRAB USE |
|---------------------|--------------|-----------------------------|---------------|
| m | t Under hook | t Under hook | t Under ropes |
| 10.0 | 63.0 - 80.0 | 50.0 | 42.0 |
| 12.0 | 63.0 - 80.0 | 50.0 | 42.0 |
| 14.0 | 63.0 - 80.0 | 50.0 | 42.0 |
| 16.0 | 63.0 - 80.0 | 50.0 | 42.0 |
| 18.0 | 63.0 - 79.4 | 50.0 | 42.0 |
| 20.0 | 63.0 - 67.7 | 50.0 | 42.0 |
| 22.0 | 58.6 | 50.0 | 42.0 |
| 24.0 | 51.4 | 45.3 | 39.9 |
| 26.0 | 46.0 | 43.5 | 35.7 |
| 28.0 | 42.0 | 40.0 | 32.2 |
| 30.0 | 38.5 | 36.5 | 29.3 |
| 32.0 | 35.0 | 33.0 | 26.8 |
| 34.0 | 32.0 | 30.0 | 24.6 |
| 36.0 | 29.5 | 27.5 | 22.7 |
| 38.0 | 27.0 | 25.0 | 21.1 |
| 40.0 | 25.0 | 23.0 | 19.6 |



Other dimensions, lifting capacities, working speeds and equipments are available on request.



CONTACT

Tel. +39 - (0) 35.49.32.411
 Fax +39 - (0) 35.49.32.409
 info@italgru.com / www.italgru.com