

# IMHC 2100

OUTREACH (RADIUS): 11 - 46 m  
MAX CAPACITY: 100 t



**IMHC 2100**

A true allrounder, the IMHC 2100 is the flagship within our range. Flexibility and fast handling of all sorts of cargoes on vessels up to post-panamax size: for bulk with mechanical or 4-rope grabs, coils and containers (telescopic 20' e 40' spreader).

The crane is built in two variants:

1. Single winch with 2 ropes
2. Double winch with 4 ropes (4-ropes grab crane)

**GENERAL DIMENSIONS AND WEIGHTS**

A	Minimum outreach/Radius	11 m
B	Maximum outreach/Radius	46 m
C	Overall height tower	31,4 m
D	Tower cab height (operator eye level)	21 m
E	Height of boom fulcrum	17 m

**HOISTING HEIGHTS**

F	Above quay level	> 35 m
G	Above quay level at maximum radius	20 m
H	Under quay level	12 m

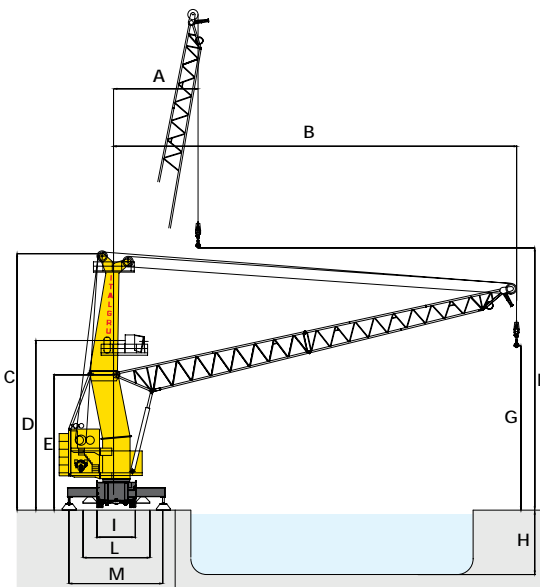
**CHASSIS AND PROPPING SYSTEM WITH STANDARD PADS**

I	Overall width of undercarriage	5 m
L	Minimum overall width outriggers	9,8 m
M	Maximum Propping base	12 x 13,4 m
	Chassis dimensions in travel mode (approx.)	16,2 x 9,8 m

**TRAVEL GEAR**

Axles	5
Steering axles	5
Driven axles	2

OUTREACH/ RADIUS	HEAVY USE	GENERAL CARGO CONTAINERS	GRAB USE
m	t Under hook	t Under hook	t Under ropes
11.0	100.0	50.0	42.0
12.0	100.0	50.0	42.0
14.0	100.0	50.0	42.0
16.0	100.0	50.0	42.0
18.0	100.0	50.0	42.0
20.0	100.0	50.0	42.0
22.0	86.8	50.0	42.0
24.0	75.8	50.0	42.0
26.0	67.0	47.3	36.0
28.0	59.8	47.3	35.0
30.0	54.5	47.3	35.0
32.0	49.4	47.3	32.0
34.0	45.8	45.8	29.0
36.0	42.0	42.0	26.6
38.0	38.6	38.6	24.5
40.0	35.4	35.4	22.5
42.0	33.0	33.0	20.7
44.0	30.5	30.5	19.3
46.0	28.0	28.0	16.6



Other dimensions, lifting capacities, working speeds and equipments are available on request.



**CONTACT**

Tel. +39 - (0) 35.49.32.411  
 Fax +39 - (0) 35.49.32.409  
 info@italgru.com / www.italgru.com