

IMHC 3160

OUTREACH (RADIUS): 11 - 54 m
MAX CAPACITY: 160 t



IMHC 3160

The IMHC 3160 has been designed to efficiently load and unload vessels up to the size of post-panamax carriers. The crane allows to handle all types of cargo including heavy lifts up to 160 tons.

The crane is built in two variants:

1. Single winch with 2 ropes
2. Double winch with 4 ropes (4-ropes grab crane)

GENERAL DIMENSIONS AND WEIGHTS

| | | |
|---|---------------------------------------|--------|
| A | Minimum outreach/Radius | 11 m |
| B | Maximum outreach/Radius | 54 m |
| C | Overall height tower | 39,6 m |
| D | Tower cab height (operator eye level) | 29 m |
| E | Height of boom fulcrum | 23,2 m |

HOISTING HEIGHTS

| | | |
|---|------------------------------------|--------|
| F | Above quay level | > 45 m |
| G | Above quay level at maximum radius | 29 m |
| H | Under quay level | 15 m |

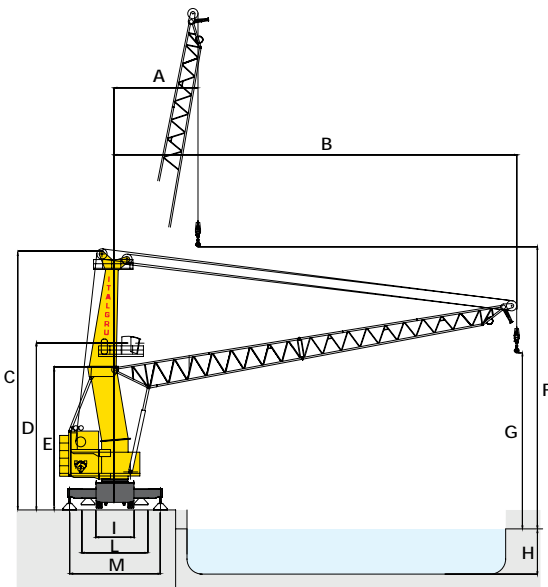
CHASSIS AND PROPPING SYSTEM WITH STANDARD PADS

| | | |
|---|---|--------------|
| I | Overall width of undercarriage | 5,5 m |
| L | Minimum overall width outriggers | 9,8 m |
| M | Maximum Propping base | 13 x 17,3 m |
| | Chassis dimensions in travel mode (approx.) | 21,3 x 9,8 m |

TRAVEL GEAR

| | |
|----------------|-------|
| Axles | 7 - 8 |
| Steering axles | 7 - 8 |
| Driven axles | 2 |

| OUTREACH/ RADIUS | HEAVY USE | TWIN LIFT | SINGLE LIFT | GRAB USE |
|---------------------|--------------|--------------|----------------|---------------|
| m | t Under hook | t Under hook | t Under hook | t Under ropes |
| 11.0 | 160.0 | 65.0 | 50.0 | 60.0 |
| 12.0 | 160.0 | 65.0 | 50.0 | 60.0 |
| 14.0 | 160.0 | 65.0 | 50.0 | 60.0 |
| 16.0 | 150.0 | 65.0 | 50.0 | 60.0 |
| 18.0 | 150.0 | 65.0 | 50.0 | 60.0 |
| 20.0 | 146.0 | 65.0 | 50.0 | 60.0 |
| 22.0 | 132.0 | 65.0 | 50.0 | 60.0 |
| 24.0 | 119.0 | 65.0 | 50.0 | 60.0 |
| 26.0 | 107.5 | 65.0 | 50.0 | 60.0 |
| 28.0 | 98.5 | 65.0 | 50.0 | 60.0 |
| 30.0 | 90.5 | 65.0 | 50.0 | 60.0 |
| 32.0 | 83.5 | 65.0 | 50.0 | 60.0 |
| 34.0 | 77.5 | 65.0 | 50.0 | 56.0 |
| 36.0 | 72.0 | 65.0 | 50.0 | 52.5 |
| 38.0 | 67.5 | 63.0 | 50.0 | 49.0 |
| 40.0 | 63.0 | 60.0 | 50.0 | 46.0 |
| 42.0 | 59.0 | 57.0 | 50.0 | 43.5 |
| 44.0 | 55.0 | 54.0 | 50.0 | 41.0 |
| 46.0 | 51.5 | 51.0 | 50.0 | 39.0 |
| 48.0 | 48.0 | 48.0 | 48.0 | 37.0 |
| 50.0 | 45.0 | 45.0 | 45.0 | 35.0 |
| 52.0 | 42.5 | 42.5 | 42.5 | 33.0 |
| 53.0 | 41.0 | 41.0 | 41.0 | 32.0 |
| 54.0 | 40.0 | 38.0 | 38.0 | 30.0 |



Other dimensions, lifting capacities, working speeds and equipments are available on request.



CONTACT

Tel. +39 - (0) 35.49.32.411
 Fax +39 - (0) 35.49.32.409
 info@italgru.com / www.italgru.com